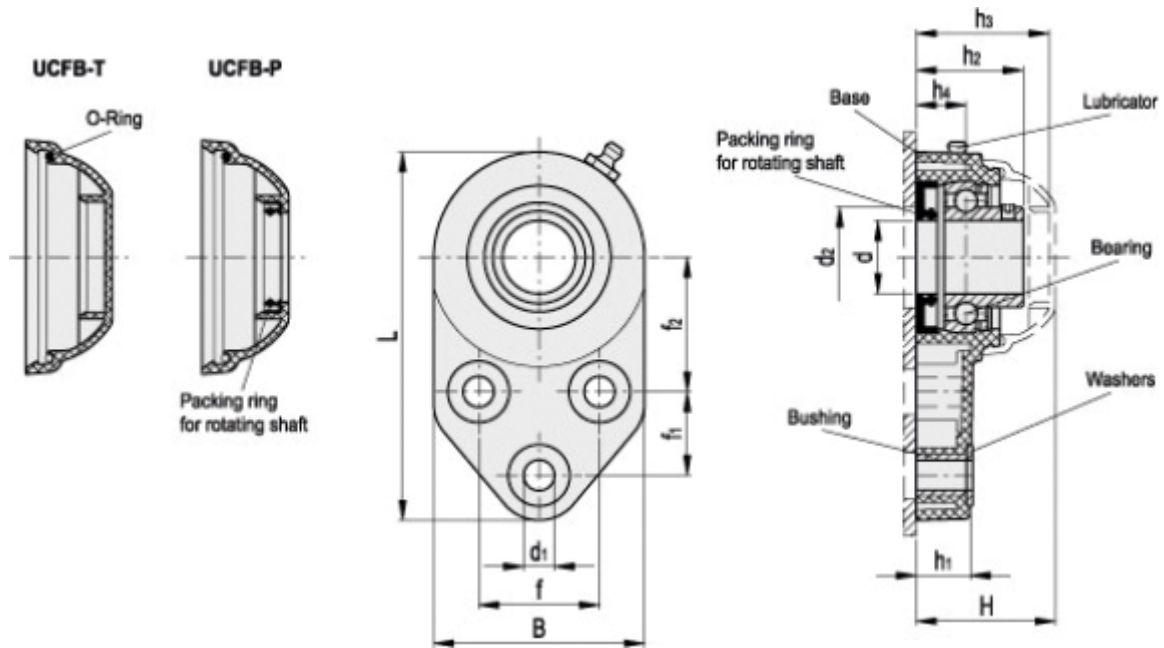


Article number: 2310419544

Description: E+G flanged self-aligning brackets UCFB.206-D-30-P

Measures



B	= 85	f = 47.6	L = 142
Bearing dynamic load in N	= 19000	f1 = 32	
Bearing static load i N	= 11000	f2 = 52.4	
Bracket load in N	= 11000	H = 60	
d	= 30	h1 = 26.3	
d1	= 10.5	h2 =	
d2max	= 60	h3 =	
d2min	= 50	h4 = 20.7	